

level measurement

level switch FGS 120

features

- level switch for allfluid types
- measuring principle oscillation fork
- robust design with a connection head made of stainless steel
- definated position of the forks by indication on the outside

technical specifications

- housing made of stainless steel 1.4305
- medium- tangent components (forks) made of stainless steel 1.4571
- process connection G1" screw-in thread
- electrical connection with plug ISO4400 or optional fixed cable connection or stainless steel connection head with bolting or M12-plug
- protection class IP65(with plug), IP68 with cable connection, IP69K with E-head
- auxiliary supply 12...55 VDC, max. current 350 mA at 55 VDC
- auxiliary supply 20-255 VAC 50/60 Hz, max. current 350 mA
min. current 10 mA at 255 VAC
min. current 25 mA at 24 VAC
- switching function full/empty by polarity of auxiliary supply
- temperature range -40...+130°C
- max. operating pressure 6 bar, other types on request
- with switching status LED, bicolored



FGS 120-6-1-A-1-B

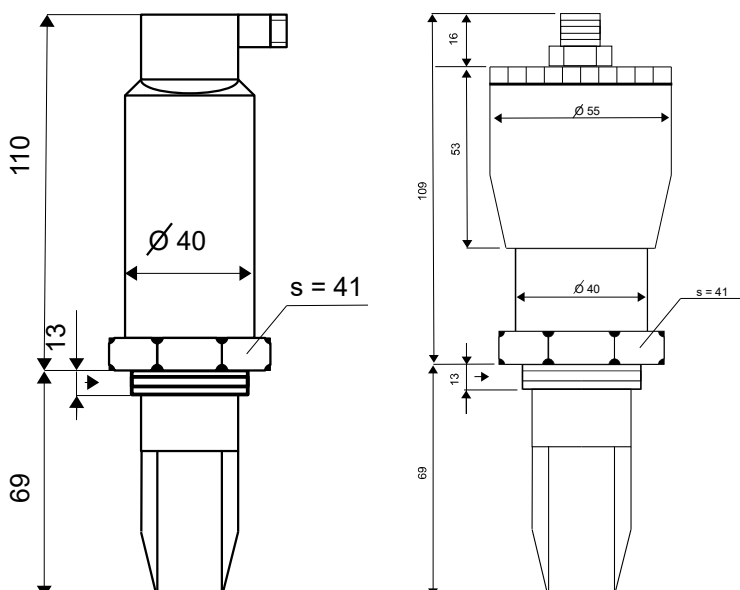
application ares

- fill level detection in cases and pipelines
- protection against dry running
- protection against overfilling
- empty-/full announcement

product benefits

- proven oscillating fork measuring principle
- can be used independently of different media properties (conductivity, density, etc..)
- robust design with stainless steel housing
- integrated status LED (2-colored)
- no adjustment or calibration necessary

technical drawing



level measurement

order-code FGS 120...

order example: FGS 120-60-1-C190-1-B

connection head

- 5 connection head stainless steel standard with screwing
- 6 connection head stainless steel standard with M12-plug on the side
- 60 connection head stainless steel standard with M12-plug in the cover plate
- A0 plug ISO4400
- A3 with fixed cable connection 3m
- A5 with fixed cable connection 5m
- AXX cable length on request, please specify length in meter

design of oscillation forks

- 1 stainless steel buffed
- 2 stainless steel high gloss buffed
- 3 PTFA-coated

length of oscillation forks

- A short design (length of the forks 39 mm)
- B standard design (length incl. thread 126 mm)
- CXX extended design (up to 3 m possible) please specify length in 100mm steps

process connection

- 1 G1" screw-in thread

output electronic system

- A 2-wire AC 20-255 (**not** possible with connection head stainless steel)
- B 3-wire DC PNP/NPN, 12-55 VDC

accessories

welding sleeves

- 99-002145 Fastening material union nut G1"

M12-connection wires

- 101090 connection cable M12 angled, 4-pole, 5m PVC cable, grey
- 101087 connection cable M12 straight, 4-pole, 5m PVC cable, grey

Other lengths available on request.

For more accessories, see accessories data sheet.