

## level measurement

### level rod probe NST 150

#### features

- level rod probe as 1-rod probe for conductive level measurement
- aseptic measuring point by process connection thread G1/2" for modulare welded sleeve- and process connection system
- EHEDG-conform, food safe material
- definated position of screwing
- rods can be cut

#### technical specifications

- connection head made of stainless steel 1.4305
- food tangent sensor made of stainless steel 1.4571
- optional food safe coating with PFA P16501 0,2mm
- electrical connection with screwing or optional M12-plug
- protection class IP69K
- temperature range 0...150°C
- max. operating pressure 10 bar
- optional available with level module NA1 or NA2

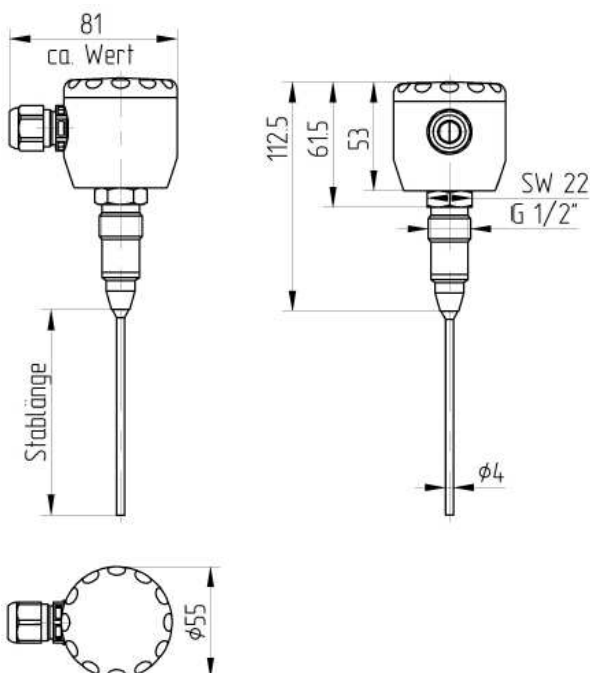
#### application areas

- fill level detection in cases and pipelines
- dry running condition protection
- empty-/full announcement
- simple, low-cost limit detection
- simple level rejection possible
- simple pumping rejection possible

#### product benefits

- aseptic sealing system
- food-safe materials (EHEDG-compliant)
- rods can be cut in freely
- with PFA coating resistant to media adhesion
- robust stainless steel head with protection class IP69K
- integrated evaluation electronics possible

#### technical drawing



NST 150-5-A200-A



NST 150-5-A2-A

## level measurement

order-code NST 150...

order example: NST 150-5-A200-B-NA1

### connection heads

- 5 stainless steel head standard with screwing
- 6 stainless steel head standard with M12-plug

### length of rod

- A2 2 mm length of rod
- AXX length of rod (XX=length in mm)

### design of rod

- A 4 mm rod without coating
- B 4 mm rod with teflon coating
- C 8 mm rod without coating
- D 8 mm rod with teflon coating

### optional

- NA1 with level evaluate modul Typ NA1
- NA2 with level evaluate modul Typ NA2

### accessories

#### welding sleeves

- 99-000191 KEM 150, welding sleeve, bullet, for G1/2" sealing system, diameter 35m,  
hygienic process adaption
- 99-000193 ZEM 150, welding sleeve, cylinder, for G1/2" sealing system, diameter 30mm,  
hygienic process adaptation

#### M12-connection wires

- 101090 connection cable M12 angled, 4-pole, 5m PVC cable, grey
- 101087 connection cable M12 straight, 4-pole, 5m PVC cable, grey

**Other lengths available on request.**

**For more accessories, see accessories data sheet.**