

temperature measurement

resistance thermometer WTR 330

features

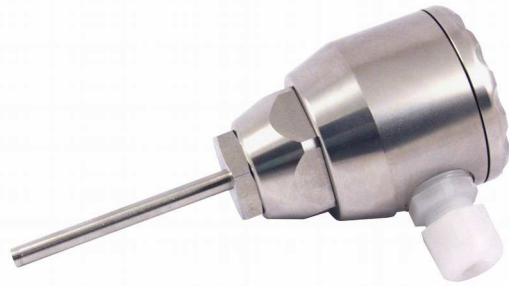
- standard resistance thermometer without neck tube
- connection head made of stainless steel
- flat protective fitting without process connection thread
- protective fitting adaptable with different clamp screw fittings
- protective fitting adaptable with different weld-in screwing
- available with tapered measuring point
- protective fitting pressed closed to connection head
- temperature resistance PT100 directly constructed in protective fitting
- electrical connection on board (clamps) or programmable measuring transducer
- specials on request

technical specifications

- protective fitting made of stainless steel V4A 1.4571
- diameter 6 x 1 mm, other diameters on request
- with weld-in screwing asepted measuring points are possible
- temperature ranges: -50 °C to +200 °C (extended ranges on request)
- short reaction time

product benefits

The WTR 330 is a temperature sensor with a smooth protection fitting. It is integrated into the process with a compression fitting, making it suitable for use in both liquid and vapour mediums. High-quality materials give this sensor a very long service life.



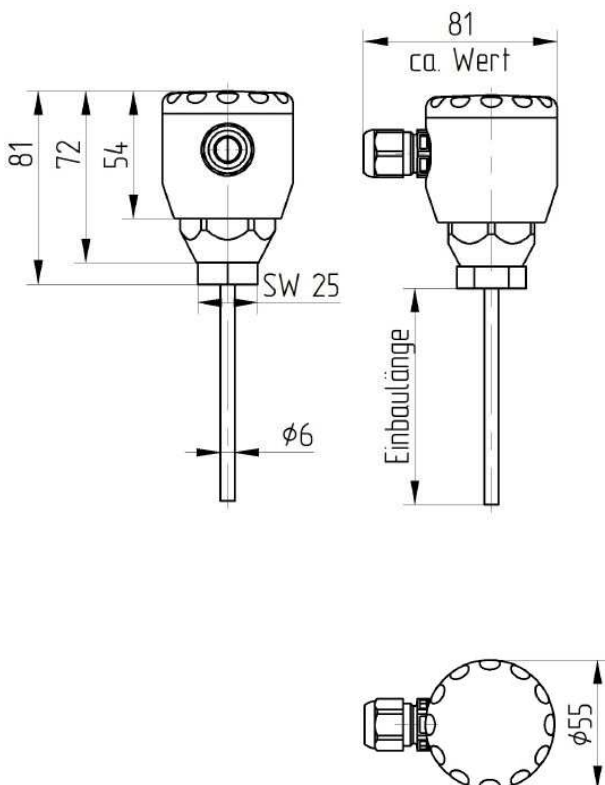
WTR 330-5-B-1A-V0-KMU



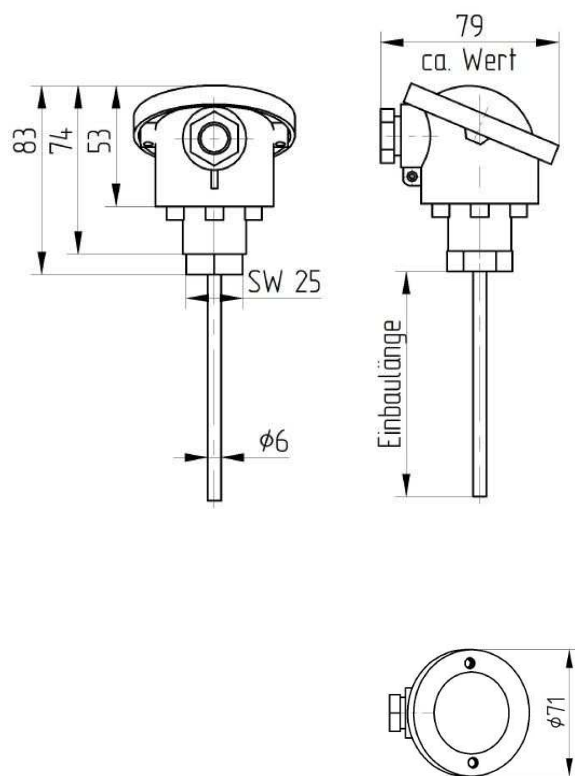
WTR 330-1-B-1A-V0-KMU

technical drawing

stainless steel head



aluminiumhead



temperature measurement

order-code WTR 330...

order example: WTR 330-5-A-2A-V3-KMU (0-100 °C)

connection heads

- 1 aluminiumhead standard, with screwing, protection class IP65
- 5 stainless steel head standard with screw cap, with screwing, protection class IP69K
- 6 stainless steel head standard with screw cap, with M12-plug, protection class IP69K
- J aluminiumhead small, form J, protection class IP65 (not available with measuring transducer)

mounting length

- A 50 mm mounting length
- B 100 mm mounting length
- C 150 mm mounting length
- D 200 mm mounting length
- E 250 mm mounting length
- F 300 mm mounting length
- G 350 mm mounting length
- H 400 mm mounting length
- K mounting length on customer`s request (please specify length)

type of sensor and tolerance

- 1A 1xPT100 class A
- 2A 2xPT100 class A
- 1C 1xPT100 1/3 DIN
- 2C 2xPT100 1/3 DIN
- KX type of sensor and tolerance on customer`s request

tapered measuring point

- VO without taper
- V3 tapered to 3 mm
- V4 tapered to 4 mm

optional

- KMU with programmable measuring transducer (temperature range on request on preadjustment please specify)

accessories

clamp screw fittings

- 99-000197 KVS6E-1/2" clamp screw fitting
- 99-000199 KVS6T-1/2" clamp screw fitting with screw-in thread, for 6mm sensor, clamping ring made of Teflon, material 1.4571
- 99-000512 KVS6E-1/4" clamp screw fitting
- 99-000198 KVS6T-1/4" clamp screw fitting
- 99-000196 KKV6P bullet clamp bolting, for 6mm tube, PEEK sealing ring, material 1.4404

immersion pockets

- 99-000456 THVA, 100mm in G1/2", dimension 9x1, diameter immersion pocket 9mm, inner diameter 7mm, material VA, with M4 screw in the hexagon
- 99-001938 THVA-KVS 100mm, in G1/2", sleeve dimension 9x1mm, inner diameter 7mm, with clamp screw fitting for 6mm probe, with PTFE clamping ring
- 99-002871 ESTHK, 50mm, welding immersion pocket, diameter pocket 9x1mm, with clamp screw fitting PEEK, material 1.4404

M12-connection wires

- 101090 connection cable M12 angled, 4-pole, 5m PVC cable, grey
- 101087 connection cable M12 straight, 4-pole, 5m PVC cable, grey

Other lengths available on request.

For more accessories, see accessories data sheet.