

humidity measurement

humidity sensor FTS 130

features

- humidity sensor for ventilation- and climate industry
- capacitive sensor element
- sensor for canal assembly
- robust design, aluminium sensor pipe with plastics connection housing
- high long time stability
- small hysteresis, good dynamic attitude
- maintenance free

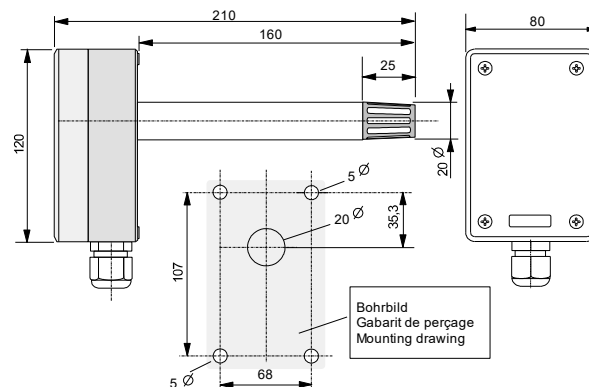
technical specifications

measuring range:	0...100%rF
accuracy:	+/-3%rF
operating range:	15...90%rF
temperature action:	+/- 0,2%rF/K
min. air speed :	1m/sec
voltage supply:	24VAC/DC at output 0...10VDC 12...24VDC at output 4...20mA
output	0...10VDC or 4-20mA selectable
material sensor pipe	aluminium
material sinterfilter	stainless steel (optional)



FTS 130-A-0

dimensions:



installation- and assembly advice

Please avoid closeness to windows, heatings and other heat sources at assembly.
The sensor can be hung up direct on cable.
At too much settled dust dynamic attitude can adulterate.
In this case sensor is to be washed up very carefully with destillerated water.
The sensor element has not to be contacted while washing up.

order-code FTS 130...

order example: FTS 130-A-1

measurand output and power supply

- A output 0...10VDC, supply 24VAC/DC
- B output 4...20mA, supply 12...24VDC

optional

- 0 no options
- 1 with stainless steel sinterfilter