

humidity measurement

humidity sensor FTS 190

features

- humidity sensor for ventilation- and climate industry
- capacitive sensor element
- robust industrial design, connection housing
- high long-time stability
- small hysteresis, good dynamic attitude
- maintenance free

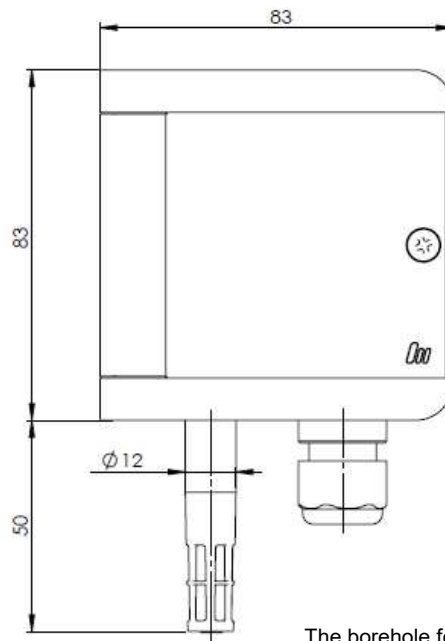
technical specifications

measuring range:	0...100%rF
accuracy:	+/-2%rF
temperature action:	+/- 0,05%rF/K
min. air speed:	0,5m/sec
voltage supply:	10...30VDC bei Ausgang 4...20mA
output:	4-20mA
protection class housing	IP65
material sensor pipe	plastic PC
material sinter filter	PTFE



FTS 190-B-0

dimensions:



The borehole for fixation of sensor is located on the package

order-code FTS 190...

order example: FTS 190-B-B

measurand output and power supply

-B output 4...20mA, supply 10...30VDC

optional

- 0 no options
- B with temperature sensor 0...100°C = 4...20mA output