

## temperature measurement

### resistance thermometer WTR 530

#### features

##### temperature sensor

- standard resistance thermometer without neck tube
- temperature resistance PT100 directly constructed in protective fitting
- without process connection
- adaptable with compression fittings and thermowells

##### transmitter and display head

- plastic housing with display free programmable in rotatable head
- input PT100 and thermocouple
- 4 ... 20mA output and 2 switching outputs PNP
- display can be mirror
- comprehensive setting
- already preset upon request



WTR 530-50-B-6-1A

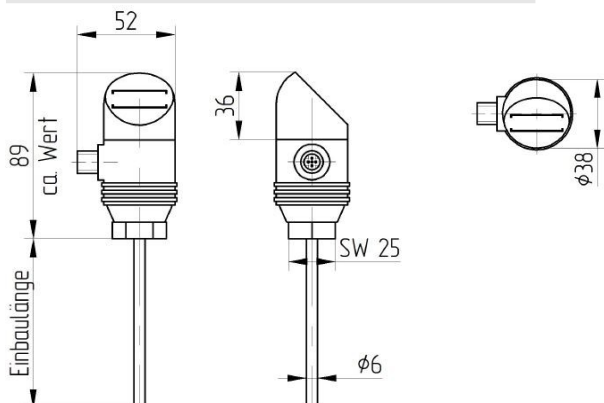
#### technical specifications temperature sensor

- protective fitting made of stainless steel 1.4571
- diameter 6x1mm, other diameters on request
- temperature range: the medium -50 ° C to +200 ° C
- PT100 class A
- short response time

#### technical specifications transmitter and display head FG200T

input	PT100 or thermocouple (programmable)
display range	-9999...+9999
digit height	8,5mm
display	red 7-segment LED display 4 digits rotatable about 330 °, display mirror-imaged
damping	0,0...999,9s adjustable
resolution	16 Bit
accuracy	+/-0,2% of measuring range +/- 1 digit
setting	wide range of options such as display scale, display area, decimal point, units, TAG number, etc.
switching outputs	2 PNP, maximum load for each 200mA galvanically isolated from the measuring amplifier
display switching point	per 1 x red LED
setting	separated switching point and hysteresis adjustable with 3 buttons on the unit
power supply	12...40VDC, HART-current loop
temperature range	working range -40...+85°C storage -40°C...100°C
electrical connection	M12-connector 5-pole
material	housing body PTB GF30 display shell: polycarbonate
weight	approx 70g without probe
mounting position	any
protection	min. IP65, depending on the connection cable also higher

#### technical drawing



## temperature measurement

order-code WTR 530...

order example: WTR 530-50-X-6-1A (0-100 °C)

### connection head

-50 transmitter and display head, free programmable type FG200T

### mounting length

-X 30 mm mounting length  
 -A 50 mm mounting length  
 -B 100 mm mounting length  
 -C 150 mm mounting length  
 -D 200 mm mounting length  
 -E 250 mm mounting length  
 -F 300 mm mounting length  
 -G 350 mm mounting length  
 -H 400 mm mounting length  
 -K mounting length on customer request (please specify length)

### sensor diameter

-6 diameter 6mm

### sensor type, tolerance, output

-1A 1xPT100 class A, output 4...20mA, 2 switching outputs, display  
 -KX sensor types or tolerances on customer request

### accessories

#### clamp screw fittings

-99-000197 KVS6E-1/2" clamp screw fitting  
 -99-000199 KVS6T-1/2" clamp screw fitting with screw-in thread, for 6mm sensor, clamping ring made of Teflon, material 1.4571  
 -99-000512 KVS6E-1/4" clamp screw fitting  
 -99-000198 KVS6T-1/4" clamp screw fitting  
 -99-000196 KKVS6P bullet clamp bolting, for 6mm tube, PEEK sealing ring, material 1.4404

#### immersion pockets

-99-000456 THVA, 100mm in G1/2", dimension 9x1, diameter immersion pocket 9mm, inner diameter 7mm, material VA, with M4 screw in the hexagon  
 -99-001938 THVA-KVS 100mm, in G1/2", sleeve dimension 9x1mm, inner diameter 7mm, with clamp screw fitting for 6mm probe, with PTFE clamping ring  
 -99-002871 ESTHK, 50mm, welding immersion pocket, diameter pocket 9x1mm, with clamp screw fitting PEEK, material 1.4404

#### M12-connection wires

-113218 connection cable M12 angled, 5-pole, 5m PUR cable, black  
 -110602 connection cable M12 straight, 5-pole, 5m PUR cable, black