

temperature measurement

resistance thermometer/temperature switch WTR 620

features

- resistance thermometer and temperature switch with screw-in thread, without neck tube
- fast response time without reduced measuring peak
- electrical connection with plug M12 5-pole
 (connections see accessories)
- output switching contact and RS485 Mod-Bus
- specials on request



WTR 620-9-A-DA-SA

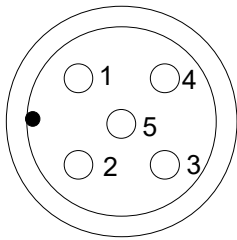
technical specifications

- | | |
|-----------------------------|--|
| - protection fitting | stainless steel 1.4404 (316L) resp. 1.4571 (V4A) |
| - diameter | at Dallas chip internal 9 x 1mm
at PT100 chip internal 6 x 1 mm |
| - process connection thread | G 1/2" A |
| - temperature range: | -55°C to +125°C (with Dallas chip internal)
-50°C to +150°C (with PT100 internal)
(extended ranges on request) |
| - power supply | 8...30VDC |
| - output | switching output PNP |
| - max. switching current | 60mA |
| - interface | RS485, Mod Bus protocol for parameterization
as well as reading out the measured value and communication |

product benefits

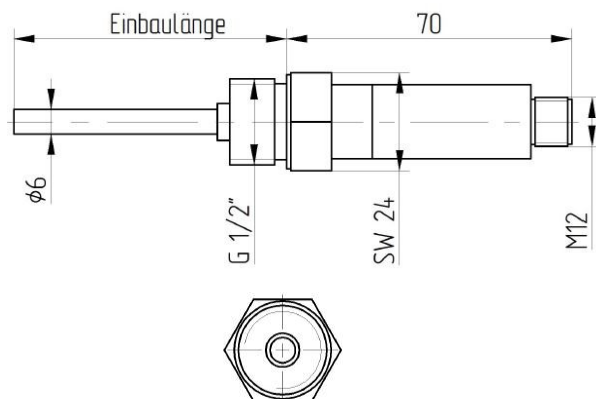
- integrated Mod-Bus interface for coupling to a PLC
- freely parameterizable switching point
- 2-point control integrated via adjustable hysteresis
- compact, cost-optimized design
- optimal use of space
- low attack surface for harsh environmental factors
- quick and easy electrical connection via M12 connector
- digital temperature output: Several sensors can be operated in parallel at one digital input of an evaluation

pin assignment



- 1: + power supply 8...30VDC
- 2: switching output PNP
- 3: - power supply
- 4: interface RS485 (A)
- 5: interface RS485 (B)

technical drawing



temperature measurement

order-code WTR 620...

order example: WTR 620-9-A-DA-SA

kind of connection

-9 compact construction, directly with M12 plug 5 pole, protection class IP69K

mounting length

-A 50 mm mounting length
 -B 100 mm mounting length
 -C 150 mm mounting length
 -D 200 mm mounting length
 -E 250 mm mounting length
 -F 300 mm mounting length
 -K mounting length on customer`s request

sensor type internal, temperature range and protection tube diameter

-DA 1 x Dallas Chip temperature range -55°C...+125°C, protection tube diameter 9mm
 -PT100 1 x PT100 temperature range -50°C...+150°C, protection tube diameter 6mm
 -KX other sensor types or temperature ranges on customer`s request

output

-SA switching output and interface RS485 (Mod-Bus protocol)

accessories

welding sleeves

-99-000421 GEM 150, stainless steel welding sleeve, G1/2" internal thread, outer diameter 26mm, length sleeve 33mm

M12-connection wires

-113218 connection cable M12 angled, 5-pole, 5m PVC cable, grey
 -110602 connection cable M12 straight, 5-pole, 5m PVC cable, grey