

short manual universal controller type UREG 50...

safety instructions !!!

intended use of the product

- The UREG 50 has been designed exclusively for the intended use described here or in the data sheet and may only be used in this way.
- The technical specifications contained in these operating instructions must be observed.
- Improper handling or operation of the device outside of its technical specifications requires the device to be taken out of service immediately and an inspection by promesstec.
- When the device is transported from a cold into a warm environment, the formation of condensation may result in the device malfunctioning.
- Before putting it back into operation, wait for the device temperature and the room temperature to equalise.

The manufacturer shall not be liable for claims of any type based on operation contrary to the intended use!!

staff qualification

Improper handling of the UREG 50 can result in considerable personal injury and damage to the equipment. The activities described in these operating instructions may only be carried out by skilled staff who have the appropriate qualifications. For installation and starting of the UREG 50, the relevant regulations and directives of the country and the norms must be observed. The safety instructions must be observed. There will be danger to life if live parts are touched. Electrical installation and commissioning may only be carried out by qualified and skilled personnel.

special hazards

Do not use the UREG 50 in safety or emergency stop devices. Incorrect application or operation of the device can lead to injuries.

When cleaning the UREG 50, do not use chemicals, volatile solvents such as thinners or strong cleaning agents. It can result in deformation of the housing as well as deterioration of the front foil. Use only a soft cleaning towel.

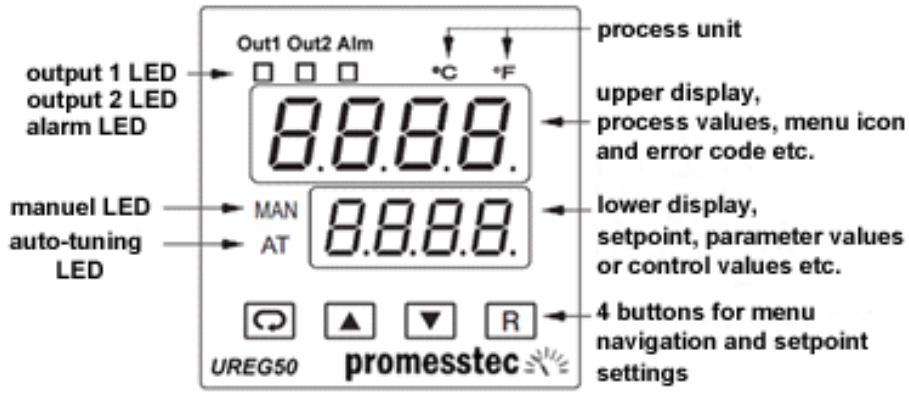
hazards when operating the device

When correctly mounted and installed, the UREG 50 has a front protection class of IP50, optionally IP65. When cleaning your device with high-pressure cleaners, steam cleaners, etc., make sure that the front side as well as the front foil are not directly exposed to the pressure jet. If the temperature falls below the dew point, condensation may form in the connection chamber of the device. In such extreme applications, contact our sales and technical support before commissioning.

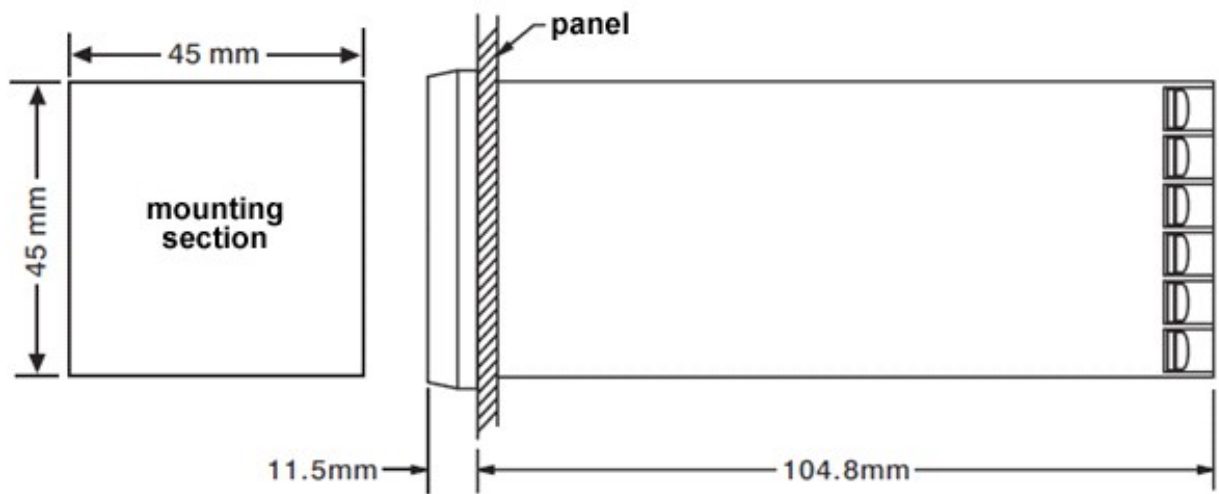
evaluation devices

overview UREG 50

front



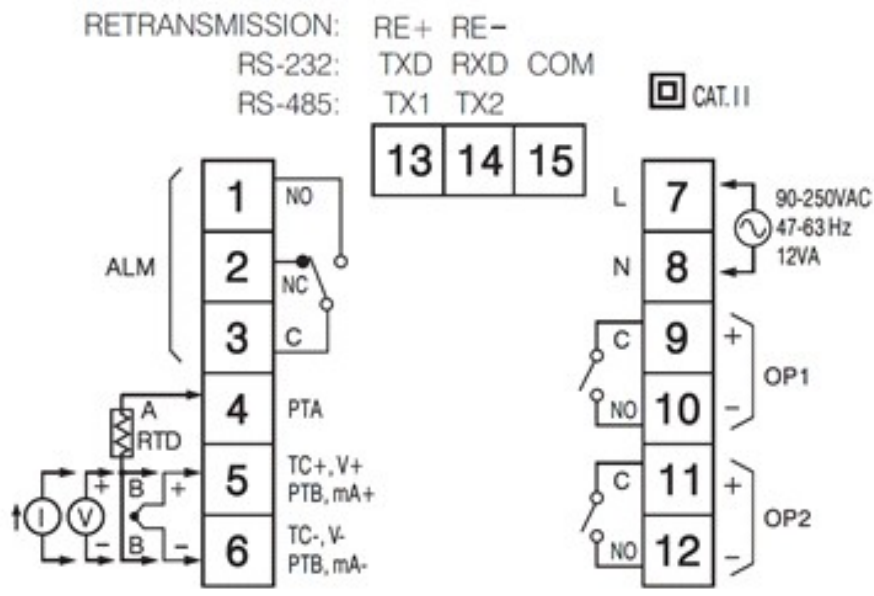
dimensions installation



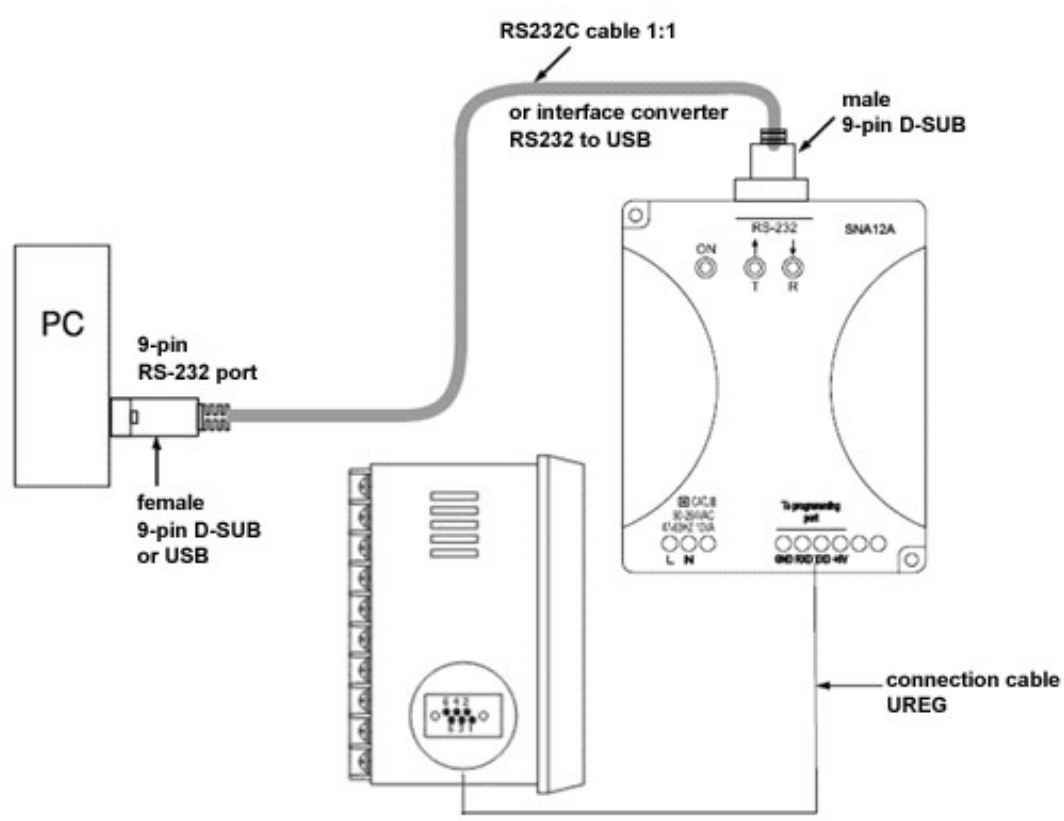
evaluation devices

dimensions UREG 50

terminal assignment



settings programming port



The complete user manual including the connection diagrams as well as the software can be found on our homepage.

evaluation devices

mounting instructions !!!

mechanical installation

- The UREG 50 is not designed for a potentially explosive area. There is a risk of explosion.
- The UREG 50 is designed for front installation in a switch cabinet or a closed housing. The dimensions of a suitable section can be found in the user manual. When making the section, make sure that the UREG 50 is not mechanically braced during installation.
- When mounting the UREG 50 in the front panel of the switch cabinet, make sure that the housing is not strained by the fastening elements. It can result in an impairment of the function.
- When selecting the installation location, make sure that the UREG 50 is protected from shock, vibration and electromagnetic fields, such as frequency converters, motors and transformers.

electrical mounting

- all electrical work is to be carried out only in a de-energized state.
- the supply circuit must be protected by a suitable protective device, the safety fuse should be selected as low as possible.
- keep signal and supply voltage lines separate from each other. If this is not possible, use shielded cables for signal wiring.

important information !!!

return and repair

The promesstec sensors have a modular design. This allows us to repair and overhaul defective devices. To do this, send the device to promesstec. You will find a return form with the information to be provided on our homepage under "technical information".

disposal of the device

Dispose of devices, components and packaging in an environmentally friendly manner in accordance with the waste treatment and disposal regulations typical for the country. Pay attention to waste separation and the recycling of high-quality materials such as stainless steel, etc.

further documentation

This short manual, the data sheets, a complete user manual and the software can be found as a file on our homepage under the respective devices. The documentation is available in German as well as in English. Other languages on request.

