

User manual resistance thermometer Type WTR 130 with DMU

Safety instructions !!!

intended use of the product

- The sensor has been designed exclusively for the intended use described here or in the datasheet and may only be used in this way.
- The technical specifications contained in these operating instructions must be observed.
- Improper handling or operation of the device outside of its technical specifications requires the device to be taken out of service immediately and an inspection by promesstec.
- When the device is transported from a cold into a warm environment, the formation of condensation may result in the device malfunctioning.
- Before putting it back into operation, wait for the device temperature and the room temperature to equalise.

The manufacturer shall not be liable for claims of any type based on operation contrary to the intended use !!

staff qualification

Improper handling can result in considerable personal injury and damage to equipment. The activities described in these operating instructions may only be carried out by skilled staff who have the appropriate qualifications. For installation and starting of the sensor, the relevant regulations and directives of the country and the norms must be observed. Especially during installation of the sensor, it is possible, depending on the use, to come into contact with aggressive media. The safety instructions must be observed. There will be danger to life if live parts are touched. Electrical installation and commissioning may only be carried out by qualified and skilled personnel.

special hazards

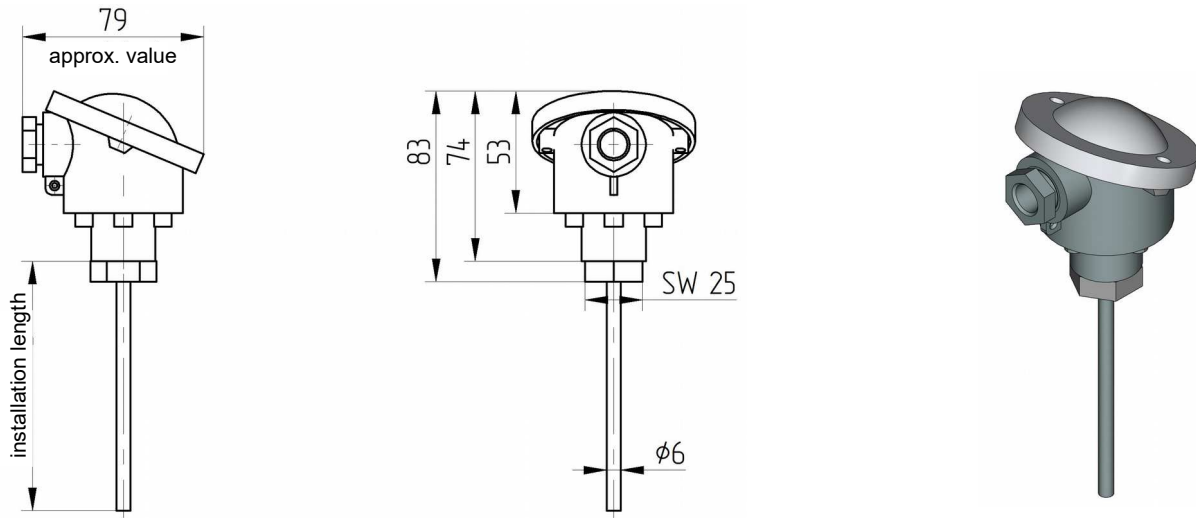
Residual media in and on dismantled devices can result in a risk to personnel, the environment and equipment. Sufficient precautionary measures must be taken here. Do not use the instruments in safety or emergency stop devices. Incorrect application or operation of the instrument can lead to injuries. Depending on the application, aggressive media with extreme temperatures and high pressure or vacuum may be present at the instrument in the event of a fault. We recommend installing and removing the device only at ambient temperature and in a pressureless mode.

hazards when operating the device

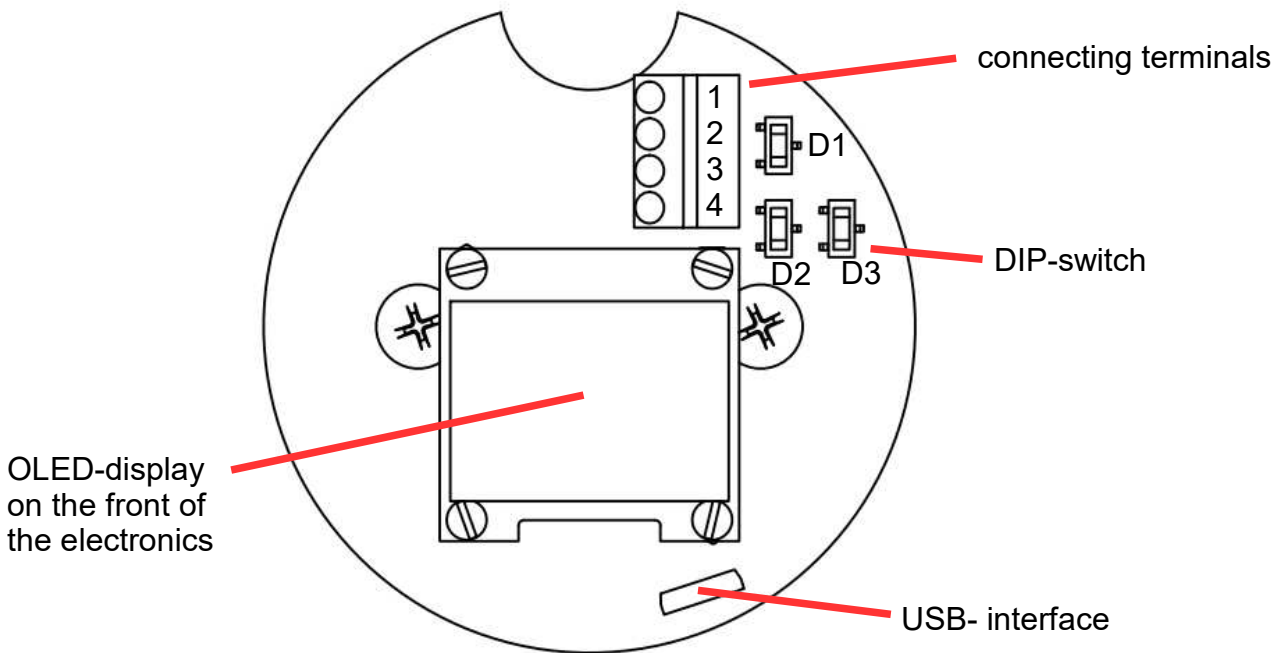
Our devices have a very high protection class when properly mounted and installed. When cleaning your system with high-pressure cleaners, steam cleaners etc., make sure that both the cover and the cable screw or the connector are not directly exposed to the pressure jet. If the temperature falls below the dew point, condensation may form in the connection chamber of the device. In such extreme applications, contact our sales and technical support before commissioning.

temperature measurement

dimensions WTR 130... with DMU



circuit board construction

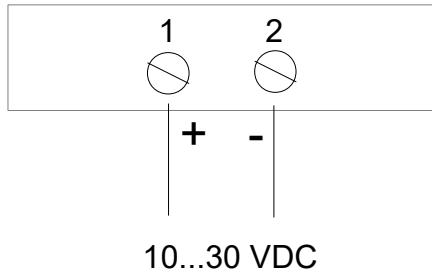


The electronics can be configured via the USB interface. The operating instructions and the software can be found on our homepage for the respective device.

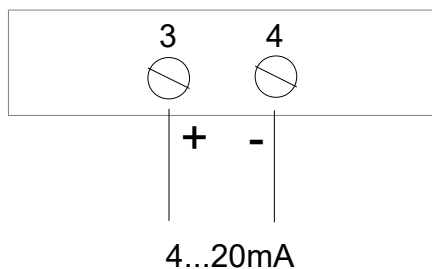
temperature measurement

connection WTR 130...with DMU

power supply



analog output



The analog output can be operated actively or passively. Attention: The changeover is only to be carried out in a deenergized state. The electronics can be destroyed.

analog output active: This is the delivery status of the WTR 130... The DIP switches D1...D3 are switched up. The current signal is 4...20mA active and must not be fed by a sensor supply. With this you go to the passive input of your PLC or similar.

analog output passive: Switching the DIP switches D1...D3 down switches the current output to passive. The current signal is 4...20mA passive and must be fed by a sensor supply. With this you go to the active input of your PLC, transmitter power supply or similar.

The datasheet and the user manual can be found on our homepage.

temperature measurement

Mounting instructions !!!

mechanical installation

- Only use promesstec welding sleeves and process connections for the adaptation in your process. Only by this we can guarantee you an optimal measuring point.
- After installing the sensor, check the tightness of the measuring point.

electrical mounting

- The electrical installation must be carried out with the power off.
- Insert the connection cable into the cable entry (screw connection). Be careful not to damage the seal of the cable gland.
- Connect the connecting cables according to your circuit task.
- You can parameterize the device via the USB interface.
- Close the case and switch on the voltage

Important information !!!

return and repair

The promesstec sensor have a modular design. This allows us to repair and overhaul defective devices. To do this, send the device to promesstec. You will find a return form with the information to be provided on our homepage under „technical information“.

disposal of the devices

Dispose of devices, components and packaging in an environmentally friendly manner in accordance with the waste treatment and disposal regulations typical for the country. Pay attention to waste separation and the recycling of high-quality materials such as stainless steel, etc.

further documentation

You can find these quick start guide and the data sheets as a file on our homepage under the respective devices. The documentation is available in German and in English. Other languages on request.

